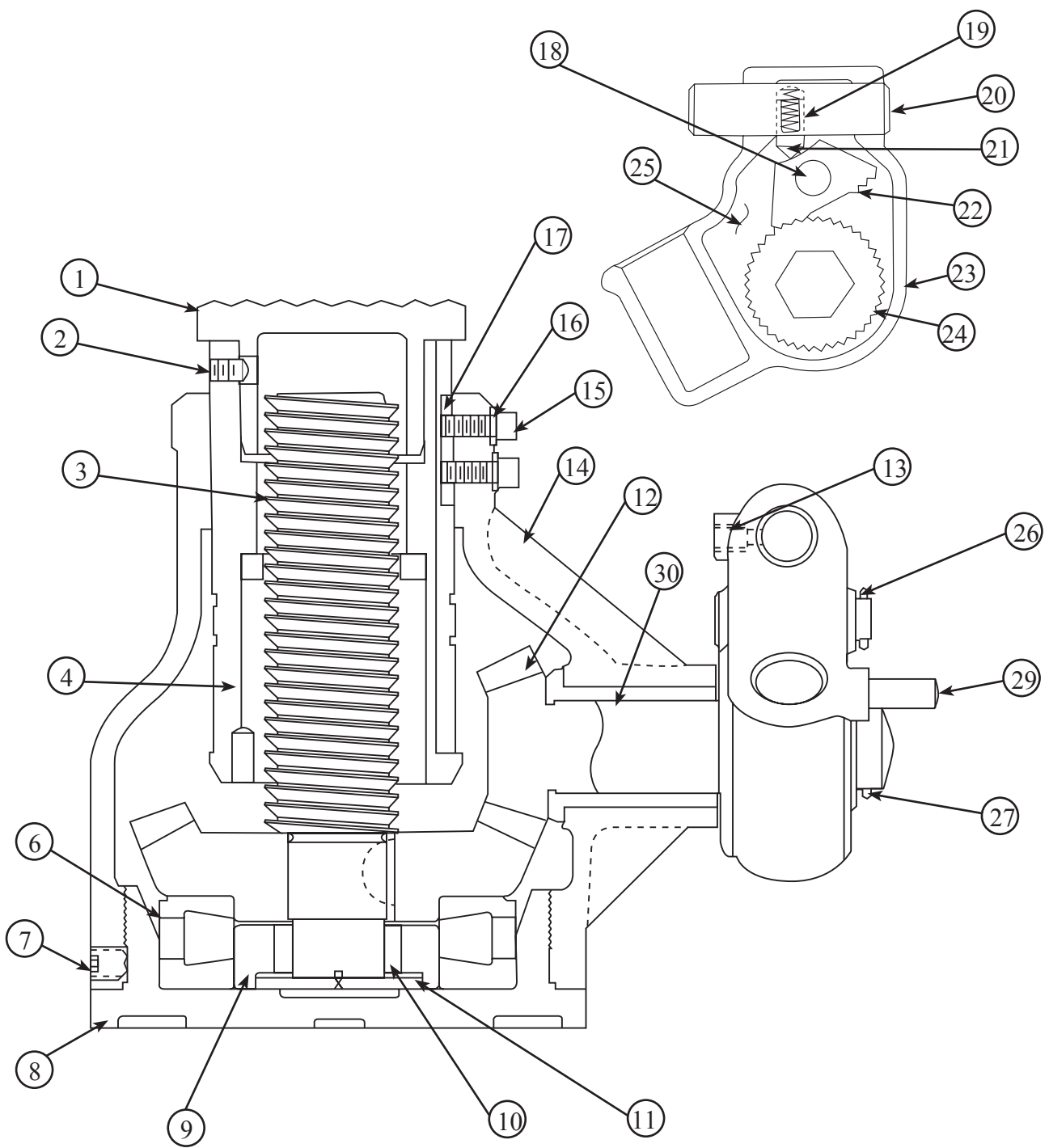




www.simplexmechanicals.com

JJ5010B, JJA5010B
SUPER JACK
REPAIR PARTS SHEET

Part Sheet #
Revision - C
Date: 2_11



ITEM #	JJ5010	JJA5010B	DESCRIPTION	QTY.
1	•	•	CAP 5010-7	1.00
2	•	•	SET SCREW 5/16-18 X 1/2 CUP	1.00
3	85093	85093	SCREW GEAR ASSY	1.00
4	86103	86103	SLEEVE & NUT ASSY	1.00
6	+	+	BEARING 5010A-4	1.00
7	+	+	SET SCREW 1/2-13 X 5/8 CUP	2.00
8	91215	91215	BASE 5010A-1A	1.00
9	+	+	BRG SPACER 5010A	1.00
11	91173	91173	BRAKE SPG 5010-1B	2.00
12	+	+	PINION 5010-9	1.00
13	*	*	SCREW RAT PLNGR 3510-3B	1.00
14	N/A	N/A	5010B HOUSING ASSY	1.00
15	93590	93590	SHCS 5/16-18 X 1 1/4	2.00
16	93942	93942	LOCKWASHER 5/16	2.00
17	91197	91197	KEY A5010B-11	1.00
18	*	*	PAWL PIN BS 5010-3A	1.00
19	*	*	PAWL PLNGR SPRING 3510-3E	1.00
20	*	*	SOC PLNGR 5010-3C	1.00
21	*	*	PAWL PLNGR 5010-3D	1.00
22	*	*	PAWL 5010-3	1.00
23	*	*	SOC 5010-2	1.00
24	*	*	RAT WHEEL 5010-5	1.00
25	*	*	SOC COVER 5010-2A	1.00
26	*	*	COTTER PIN 3/32 X 1.0	1.00
27	93787	93787	COTTER PIN 3/16 X 1.5	1.00
28	93949	93949	SOCKET PIPE PLUG 1/8-27	1.00
29	*	*	PIN DRV LOK	1.00
NS	85781	85781	DECAL MODEL 5010B	1.00
NS	+	+	SPACER-PINION	2.00
NS	98540	98540	WARNING DECAL	1.00
•	RK5010B01		LOAD CAP KIT COMPONENTS	
*	RK5010B03		SOCKET ASSEMBLY KIT	
+	RK5010B02		BEARING WITH RETAINER REPAIR KIT	

NS = NOT SHOWN

NOTE: HOUSING ARE NOT AVAILABLE AS SERVICABLE ITEMS.

WARRANTY STATEMENT

Simplex products are warranted to be free of defects in materials and workmanship under normal use for as long as they are owned by the original purchaser, subject to the exclusions and limitations listed. This warranty does not cover ordinary normal wear & tear, abuse, overloading, alterations, (including repairs or attempted repairs by parties other than SIMPLEX or its Authorized Service Centers), improper fluid, or use in a manner for which they are not intended or use which is contrary to instructions for the products. If the customer believes a product is defective, the product must be delivered, or shipped freight prepaid, to the nearest SIMPLEX Authorized Service Center.