



Simplex Division of Templeton, Kenly & Co., Inc.
2525 Gardner Road, Broadview, Illinois 60153 (708) 865-1500

NUT SPLITTERS

REPAIR PARTS SHEET

OPERATING INSTRUCTIONS

Revised 04-02
PART SHEET #5

NOTE: Be sure to read these instructions completely before operating this nut splitter. Failure to follow these instructions may result in personal injury or damage to the nut splitter.

SAFETY FIRST

General Safety

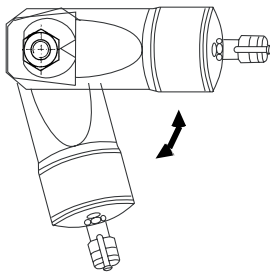
WARNING: To prevent personal injury, always wear eye protection whenever operating hydraulic nut splitter

WARNING: To avoid injuries and possible damage to the nut splitter, do not use the nut splitter on glass, plastic or any other material which would shatter.

WARNING: To prevent personal injury, do not place fingers on or near the cutting area while nut splitter is operating.

CAUTION: To avoid personal injury and damage to the nut splitter parts:

- * Do not cut chain. Do not cut bolts.
- * Do not use nut splitter to rotate nuts.



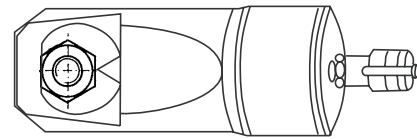
- * Do not move nut splitter during cutting operation.
- * Do not heat up nuts while nut splitter is in position.

Operation / Installation

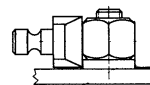
Connect the nut splitter coupler to the hose coupler and pump. Firmly tighten couplers by hand to prevent restricted oil flow.

Close the pump release valve. To remove air trapped in the hydraulic system operate the pump. Advance and retract the cutter blade several times.

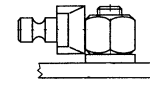
Place the nut splitter over the nut. The flat surface of the nut splitter must rest against one of the nut flats.



CAUTION: The cutting blade must not cut a hardened washer or spring washer.



Wrong



Right

WARNING: Improper position of the nut splitter on the nut may cause damage to the cutting blade. Make sure it is well positioned.

Holding the nut splitter in position, operate pump until cutting blade cuts through the nut. Avoid damage to the bolt thread by stopping the pump as soon as the nut split. Stop pump by opening the release valve to retract the cutting blade. Remove the nut splitter.

If you can not remove the nut after one cut, reposition the nut splitter to the side opposite (180 degree) the split.

Repeat Split procedure.

Maintenance

WARNING: Nut splitter is spring loaded. To avoid personal injury be careful when disassembling. Do not remove the spring.

Hydraulic nut splitters, require periodic maintenance. Disassemble the product, clean and lubricate all parts, reassemble. SIMPLEX offers ready-to-use spare parts kit for repairs and replacements.

NOTE: The pre-tensioned spring is kept in position by the key in the plunger. To replace this spring special tooling is needed. In this case the nut splitter must be returned to SIMPLEX. The spring is not available as a spare part.

Under water use

When nut splitter is used under water or in severe conditions, disassemble, clean and lubricate all parts immediately. Repaint, if necessary. If frequently used under water repaint the nut splitter with light coloured corrosion resistant paint.

Splitter blade removal / replacement

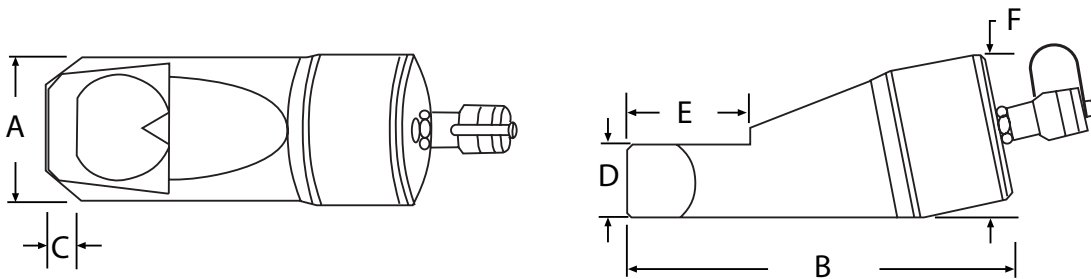
Sharp cutting blades will prolong the life of your nut splitter. Replace damaged cutting blades. Blades can be re-sharpened by grinding, but avoid removing more than 1/16" of material. Nicks can be removed by a grinding stone.

CAUTION: Do not change the cutting angle.

To replace the cutting blade: see part sheet illustration **NOTE:** To remove the cutting blade you do not need to disassemble the nut splitter. Just follow step below.

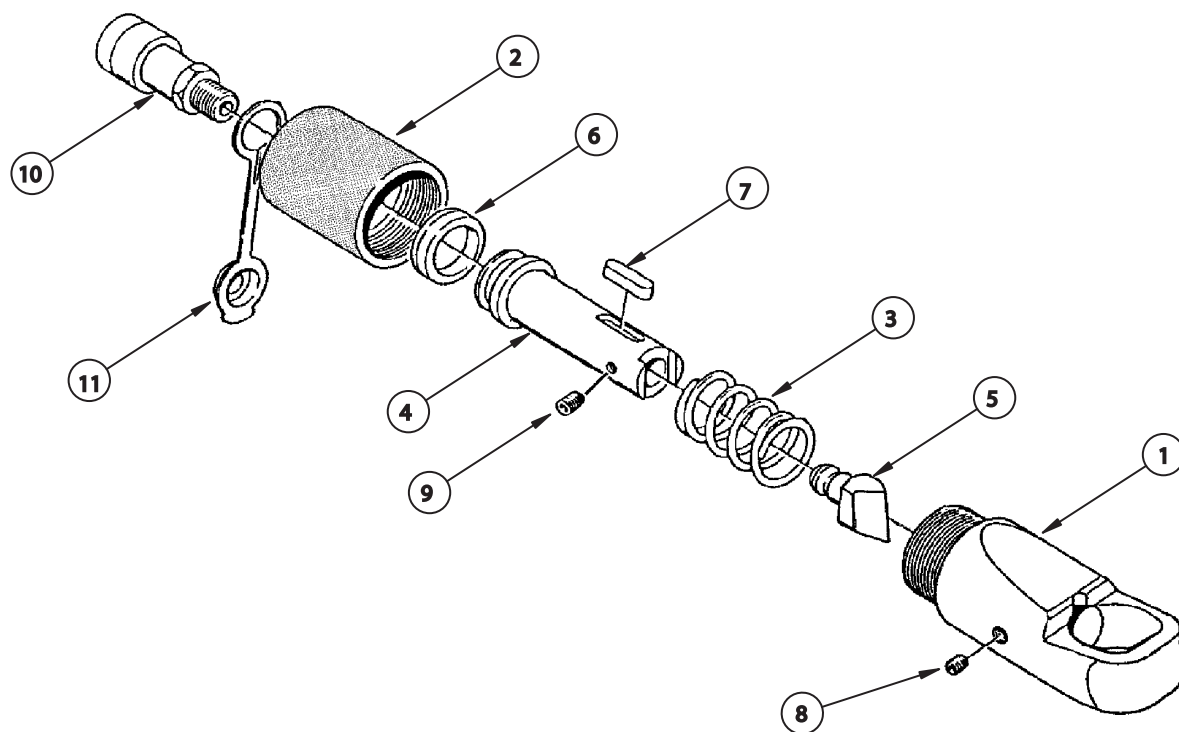
1. Open the pump release valve to remove hydraulic pressure. Cutting blade to be fully extended.
2. Disconnect the nut splitter from the hose.
3. Remove set screw (#8).
4. Remove set screw (#9).
5. Pull out cutting blade (#5).
6. Inspect the blade edge and shaft for cracks, nicks and overall sharpness.
7. Re-sharpen or replace cutting blade.
8. Lubricate the cutting blade and insert the blade into the cutting body with the cutting angle sloping away from the body.
9. Install set screw (#9) and tighten. Insert set screw (#8) and tighten.
10. Connect the nut splitter and hose. Check nut splitter operation by advancing and retracting the blade several times.
11. Check pump fluid level. Add SIMPLEX hydraulic oil as required.

We recommend: Keep spare cutting blades on hand.



Hydraulic Nut Splitters

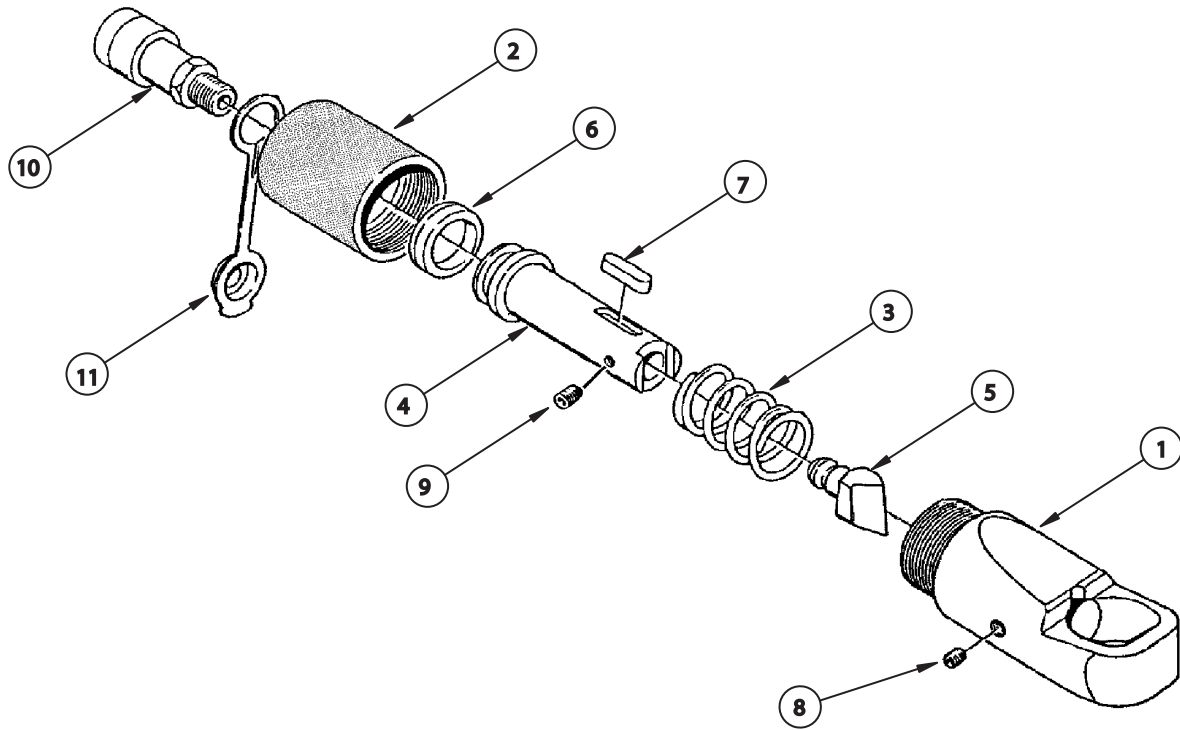
Stud Dia. (in.)	Nut A/F (in.)	Nut A/F Metric (mm)	A (in.)	B (in.)	C (in.)	D (in.)	E (in.)	F (in.)	Weight (lbs)	Sugstd. Hand Pump
1/4 - 7/16	1/2 - 3/4	13 - 19	1.57	7.87	.24	.75	1.10	1.89	1.8	P42
7/16 - 9/16	3/4 - 15/16	19 - 24	2.17	8.94	.32	.98	1.50	2.80	4.4	
9/16 - 3/4	15/16 - 11/4	24 - 32	2.60	10.24	.39	1.22	1.93	2.99	6.6	
3/4 - 1	1 1/4 - 15/8	32 - 41	2.95	11.26	.59	1.38	2.60	3.50	9.7	
1 - 1 1/4	1 5/8 - 2	41 - 50	3.78	12.80	.83	1.77	2.87	4.29	18.0	P140
1 1/4 - 1 1/2	2 - 2 3/8	50 - 60	4.17	14.41	1.06	2.13	4.96	4.96	26.0	
1 1/2 - 1 7/8	2 3/8 - 2 15/16	60 - 75	6.14	14.43	1.06	2.95	4.33	7.09	75.1	



ITEM	DESCRIPTION	NS1319	NS1924	NS2432	NS3241	NS4150	NS5060	NS6075
1	Splitter Housing	6040500	6040516	6040532	6040548	6040564	6040580	6040626
2	Cylinder Housing	6040501	6040517	6040533	6040549	6040565	6040581	6040627
3	Spring	6040502	6040518	6040534	6040550	6040566	6040582	6040628
4	Piston	6040503	6040519	6040535	6040551	6040567	6040583	6040629
5	Cutter	6040504	6040520	6040536	6040552	6040568	6040584	6040630
6	U-Cup	6040505	6040521	6040537	6040553	6040569	6040585	6040631
7	Key	6040506	6040522	6040538	6040554	6040570	6040586	6040632
8	Set Screw SM	6040507	6040523	6040539	6040555	6040571	6040587	6040633
9	Set Screw LG	6040508	6040524	6040540	6040556	6040572	6040588	6040634
10	Coupler	40858	40858	40858	40858	40858	40858	40858
11	Dust Cap	CR215	CR215	CR215	CR215	CR215	CR215	CR215
	Screwdriver SM	6040509	6040525	6040541	6040557	6040573	6040589	6040635
	Screwdriver LG	6040510	6040526	6040542	6040558	6040574	6040590	6040636
	Spare Part Kit	6040511	6040527	6040543	6040559	6040575	6040591	6040637
	Repair Kit	6040512	6040528	6040544	6040560	6040576	6040592	6040638
	Seal Kit	6040513	6040529	6040545	6040561	6040577	6040593	6040639
	Aluminum Case	6040515	6040531	6040547	6040563	6040579	6040595	6040641



NS SERIES HYDRAULIC NUT SPLITTERS



ITEM	DESCRIPTION	NS1319	NS1924	NS2432	NS3241	NS4150	NS5060	NS6075
1	Splitter Housing	6040500	6040516	6040532	6040548	6040564	6040580	6040626
2	Cylinder Housing	6040501	6040517	6040533	6040549	6040565	6040581	6040627
3	Spring	6040502	6040518	6040534	6040550	6040566	6040582	6040628
4	Piston	6040503	6040519	6040535	6040551	6040567	6040583	6040629
5	Cutter	6040504	6040520	6040536	6040552	6040568	6040584	6040630
6	U-Cup	6040505	6040521	6040537	6040553	6040569	6040585	6040631
7	Key	6040506	6040522	6040538	6040554	6040570	6040586	6040632
8	Set Screw SM	6040507	6040523	6040539	6040555	6040571	6040587	6040633
9	Set Screw LG	6040508	6040524	6040540	6040556	6040572	6040588	6040634
10	Coupler	40858	40858	40858	40858	40858	40858	40858
11	Dust Cap	CR215	CR215	CR215	CR215	CR215	CR215	CR215
	Screwdriver SM	6040509	6040525	6040541	6040557	6040573	6040589	6040635
	Screwdriver LG	6040510	6040526	6040542	6040558	6040574	6040590	6040636
	Spare Part Kit	6040511	6040527	6040543	6040559	6040575	6040591	6040637
	Repair Kit	6040512	6040528	6040544	6040560	6040576	6040592	6040638
	Seal Kit	6040513	6040529	6040545	6040561	6040577	6040593	6040639
	Aluminum Case	6040515	6040531	6040547	6040563	6040579	6040595	6040641

Simplex Division of Templeton, Kerly & Co., Inc.

2525 Gardner Rd. Broadview, IL 60153 Phone: (708) 865-1500 Fax: (708) 865-0894 www.tksimplex.com