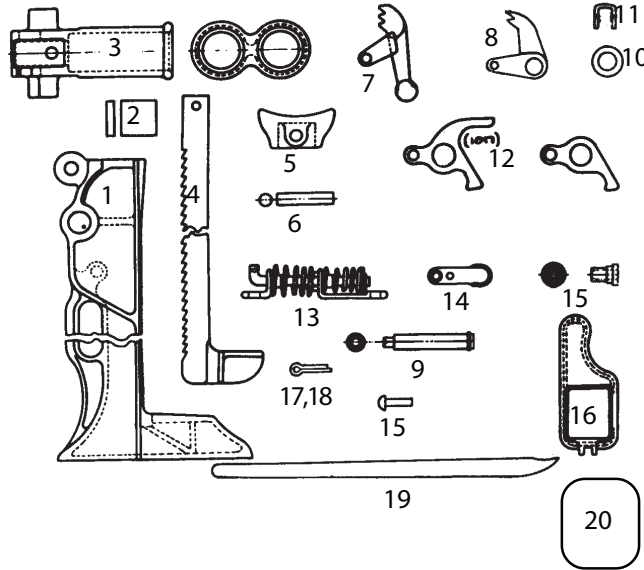




www.simplexmechanicals.com

RJ1017
RATCHET JACK
REPAIR PARTS SHEET

Part Sheet # 54050
Revision - C
Date: 2_11



RJ1017 - 10 Ton Ratchet Jack

ITEM NO.	DESCRIPTION	PART NO.
		RJ1017
1	HOUSING – NOT SERVICEABLE	N/A
2	Wearing Plate	+
3	Lever Socket	90958
4	Rack Bar	90959
5	Cap	●
6	Cap Pin	●, ***
7	Lifting Pawl	90962
8	Retaining Pawl	90333
9	Retaining Pawl Pin Assm.	***
10	Trunnion Bearing (2 required)	+
11	Trunnion Bearing Key (2 req.)	+, ***
12	Spring Link Lever	90964
13	Spring Link Complete	+
14	Reversing Lever	90276
15	Reversing Lever Exp. Rivet	***
16	Side Plate	90965U
17	Cotter Pin (3 required)	+, ***
18	Side Plate Cotter Pin	***
20	Capacity & Instruction Label	+
***	HARDWARE KIT COMPONENTS	RK101701
+	REPAIR KIT	40561
●	CAP KIT COMPONENTS	RK101702

NOTE: HOUSING ARE NOT AVAILABLE AS SERVICABLE ITEMS.

WARRANTY STATEMENT

Simplex products are warranted to be free of defects in materials and workmanship under normal use for as long as they are owned by the original purchaser, subject to the exclusions and limitations listed. This warranty does not cover ordinary normal wear & tear, abuse, overloading, alterations, (including repairs or attempted repairs by parties other than SIMPLEX or its Authorized Service Centers), improper fluid, or use in a manner for which they are not intended or use which is contrary to instructions for the products. If the customer believes a product is defective, the product must be delivered, or shipped freight prepaid, to the nearest SIMPLEX Authorized Service Center.