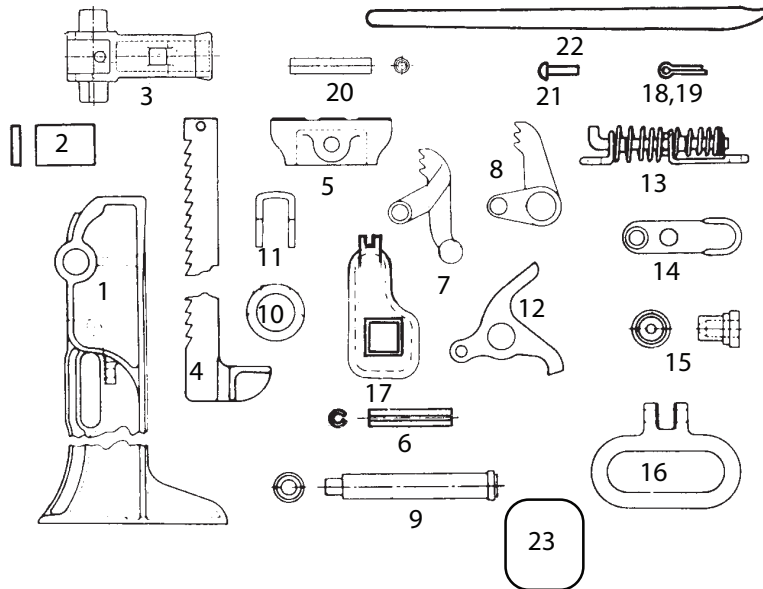




www.simplexmechanicals.com

RJ24A, RJ2029
RATCHET JACK
REPAIR PARTS SHEET

Part Sheet # 54050
Revision - C
Date: 2_11



RJ24A & RJ2029 - 20 Ton Ratchet Jacks

ITEM NO.	DESCRIPTION	PART NO.	
		RJ24A	RJ2029
1	HOUSING – NOT SERVICEABLE	N/A	N/A
2	Wearing Plate	+	+
3	Lever Socket (Dbl. Rounded)	91052	91052
4	Rack Bar	90256	91053
5	Cap	•	•
6	Cap Pin	•	•
7	Lifting Pawl	91055	91055
8	Retaining Pawl	91056	91056
9	Retaining Pawl Pin Assm.	***	***
10	Trunnion Bearing (2 required)	+	+
11	Trunnion Bearing Key (2 req.)	+, ***	+, ***
12	Spring Link Lever	91060	91060
13	Spring Link Complete	91065	91065
14	Reversing Lever	90276	90276
15	Reversing Lever Exp. Rivet	***	***
16	Handle	41192	41192
17	Side Plate	91062U	91062U
18	Cotter Pin	+, ***	+, ***
19	Cotter Pin (2 required)	***	***
20	Side Plate Spirol Pin	***	***
21	Handle Rivet (2 required)	***	***
23	Capacity & Instruction Label	+	+
***	HARDWARE KIT COMPONENTS	RK24A01	RK202901
+	REPAIR KIT	40563	40563
•	CAP KIT COMPONENTS	RK24A202902	RK24A202902

NOTE: HOUSING ARE NOT AVAILABLE AS SERVICEABLE ITEMS.

WARRANTY STATEMENT

Simplex products are warranted to be free of defects in materials and workmanship under normal use for as long as they are owned by the original purchaser, subject to the exclusions and limitations listed. This warranty does not cover ordinary normal wear & tear, abuse, overloading, alterations, (including repairs or attempted repairs by parties other than SIMPLEX or its Authorized Service Centers), improper fluid, or use in a manner for which they are not intended or use which is contrary to instructions for the products. If the customer believes a product is defective, the product must be delivered, or shipped freight prepaid, to the nearest SIMPLEX Authorized Service Center.