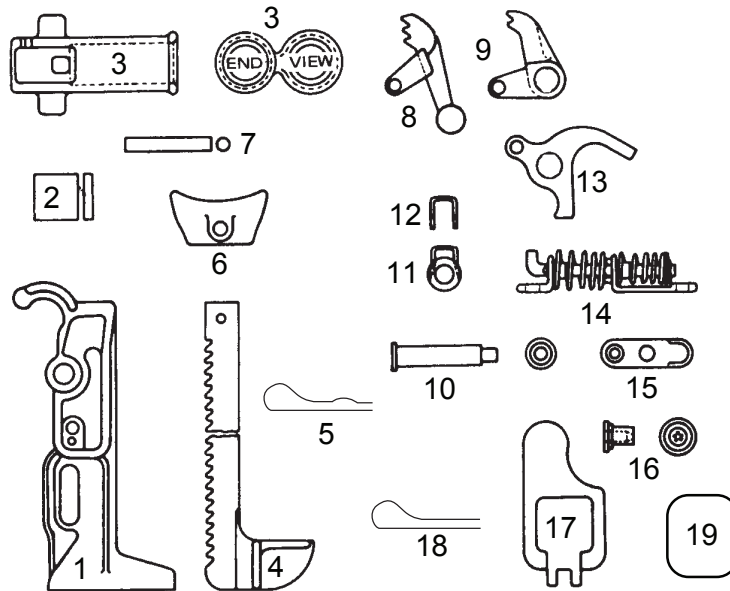




www.simplexmechanicals.com

RJ84A, RJ85A, RJ86A
RATCHET JACK
REPAIR PARTS SHEET

Part Sheet # 54048
Revision - C
Date: 2/2011



ITEM #	DESCRIPTION	84A	85A	86A	QTY.
1	HOUSING -- NOT SERVICEABLE	N/A	N/A	N/A	1.00
2	WEARING PLATE	•	•	•	1.00
3	DOUBLE LEVER SOCKET	90331	90331	90331	1.00
4	RACK BAR	90333	90332	90344	1.00
5	COTTER PIN	***	***	***	3.00
6	CAP	+	+	+	1.00
7	ROLL PIN	+, ***	+, ***	+, ***	1.00
8	LIFTING PAWL	90962	90962	90962	1.00
9	RET PAWL	90333	90333	90333	1.00
10	RET PAWL PIN	***	***	***	1.00
11	TRUNNION BRG 56-7	•	•	•	2.00
14	SPRING LINK ASSY 22-10	•	•	•	1.00
12	KEY	•, ***	•, ***	•, ***	2.00
13	LEVER SPRG LNK	90964	90964	90964	1.00
15	REV LEVER 185-13	90439	90439	90439	1.00
16	RIVET EXP REV LVR 18	***	***	***	1.00
17	SIDE PLATE	90965U	90965U	90965U	1.00
18	COTTER PIN	***	***	***	1.00
19	8524 MODEL DECAL	98524	98524	98524	1.00
•	REPAIR KIT	40560			
+	CAP KIT COMPONENTS	RK848586A02			
***	HARDWARE KIT COMPONENTS	RK848586A01			

NOTE: HOUSING ARE NOT AVAILABLE AS SERVICEABLE ITEMS.

WARRANTY STATEMENT

Simplex products are warranted to be free of defects in materials and workmanship under normal use for as long as they are owned by the original purchaser, subject to the exclusions and limitations listed. This warranty does not cover ordinary normal wear & tear, abuse, overloading, alterations, (including repairs or attempted repairs by parties other than SIMPLEX or its Authorized Service Centers), improper fluid, or use in a manner for which they are not intended or use which is contrary to instructions for the products. If the customer believes a product is defective, the product must be delivered, or shipped freight prepaid, to the nearest SIMPLEX Authorized Service Center.