

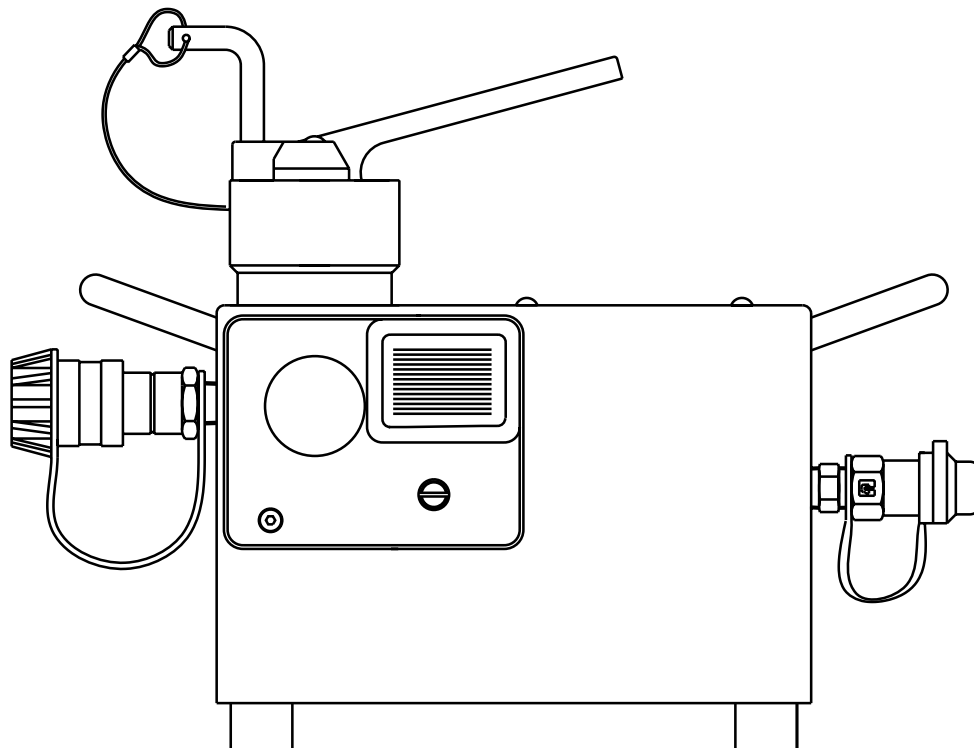


# PI2 FOUR WAY HYDRAULIC INTENSIFIER

## OPERATING & MAINTENANCE INSTRUCTIONS

INSTRUCTIONAL SHEET #: 54186

REV. B 2/04



*SIMPLEX DIVISION OF TEMPLETON, KENLY & CO., INC.*  
2525 GARDNER ROAD  
BROADVIEW, IL 60155  
PHONE: 708-865-1500 \* FAX: 708-865-0894 \* [www.tksimplex.com](http://www.tksimplex.com)

# OPERATING INSTRUCTIONS AT A GLANCE

## PI2 Set-Up

This intensifier is equipped with a three position, four way control valve capable of operating single-acting hydraulic tools and requires attaching a pair of hydraulic hoses with one end of a hose to port "A" of valve and the other end of the hose to the advance coupler of the tool, and the other hose to the "B" port and the retract coupler on the tool. If the hoses are frequently connected and disconnected, quick disconnect couplers should be used to prevent wear and tear on fittings.

NOTE: The PI2 is equipped with a pressure gauge that reads output pressure directed to either the advance "A" port, or retract "B" port.

## PI2 Intensifier Operation:

### Startup Procedure:

1. Place the manual valve in the center position.
2. Connect the pressure and tank lines from the low pressure source (PTO) to the intensifier.
3. Activate the low pressure power source (PTO).

### Manual Valve Operation:

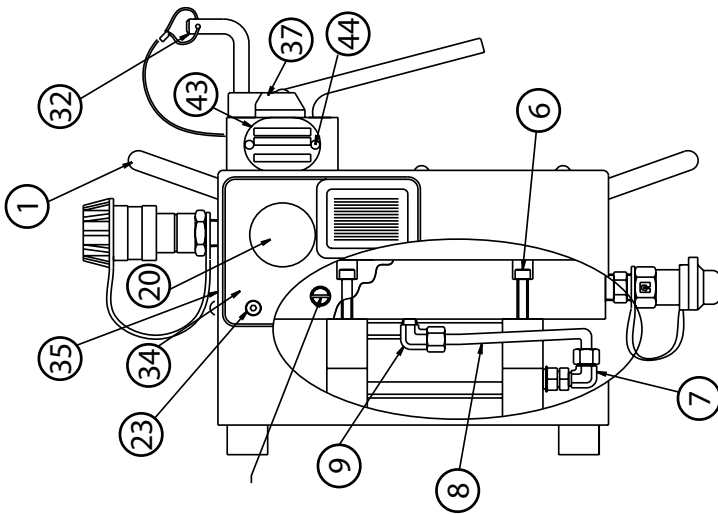
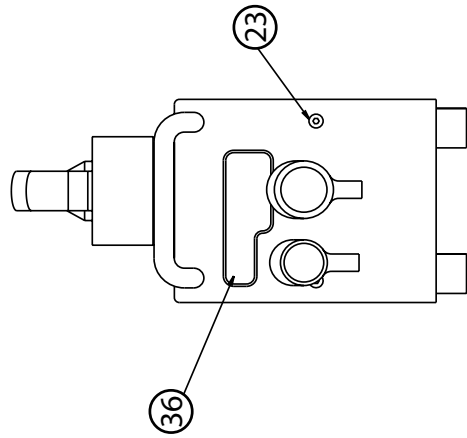
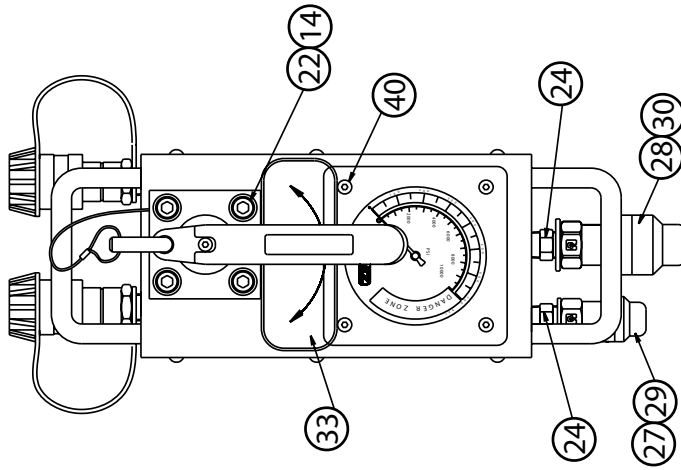
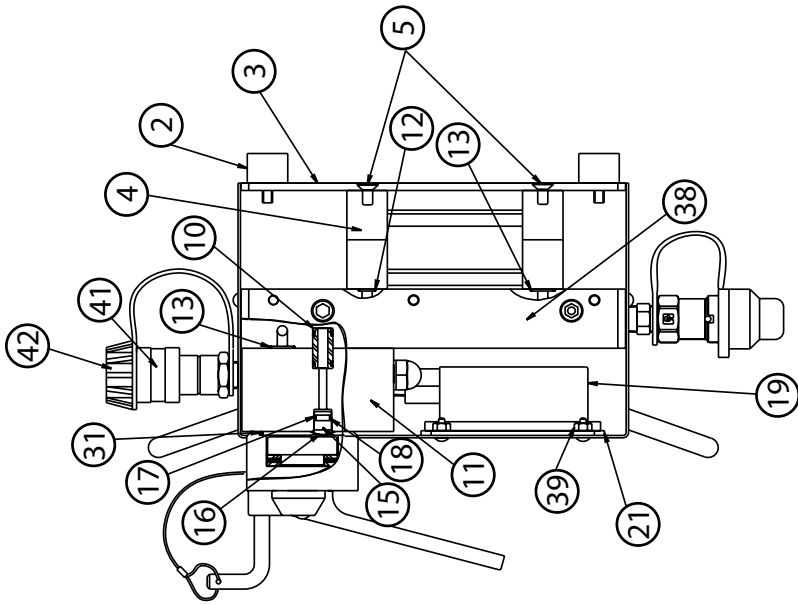
1. Remove control valve lock pin.
2. To extend the tool, shift the valve handle to the advance or "A" valve position.
3. To hold the tool in position, place the valve handle in the center position.
4. To retract the tool, shift the valve handle to the retract valve position.

# TROUBLESHOOTING

If the procedures listed below do not remedy the problem -- the intensifier will require service and should be taken to an authorized Simplex service center for repair.

Problem	Cause -- Solution
Intensifier Fails to Operate.	<ol style="list-style-type: none"><li>1. Check pressure and tank connections for PTO.</li><li>2. Make sure PTO is turned on.</li><li>3. Check PTO for required pressure 2000 psi and flow 5 GPM minimum.</li><li>4. Check hose connections to the tool.</li><li>5. Check for external leaks.</li><li>6. Take unit to Simplex Authorized Service Center for repairs.</li></ol>
Intensifier Operates but Fails to Build Full Operating Pressure.	<ol style="list-style-type: none"><li>1. Check for required pressure 2000 psi and flow 5 GPM minimum.</li><li>2. Check hose connection to tool.</li><li>3. Check for external leakages.</li><li>4. Check for faulty gauge.</li><li>5. Check external relief valve adjustment.*</li><li>6. Take unit to Simplex Authorized Service Center for repairs.</li></ol>

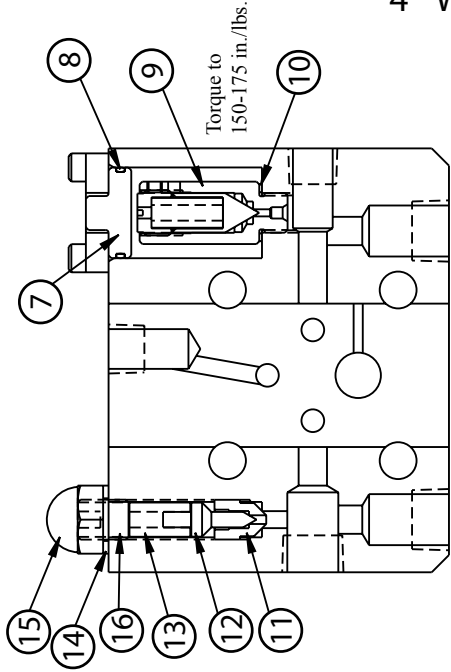
# 4 WAY INTENSIFIER 17459



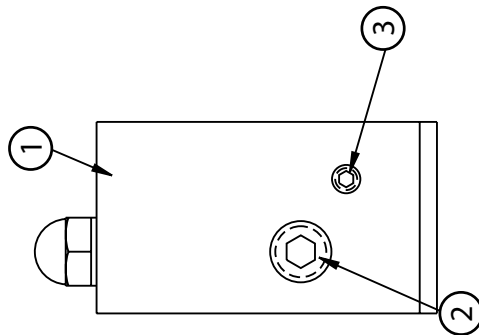
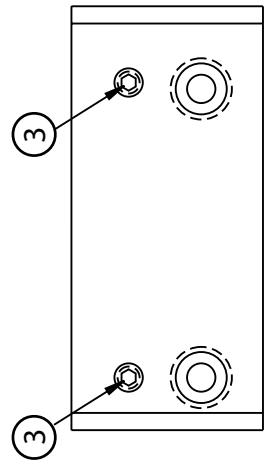
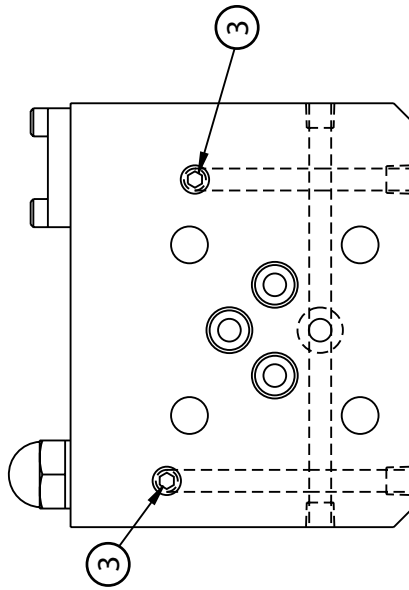
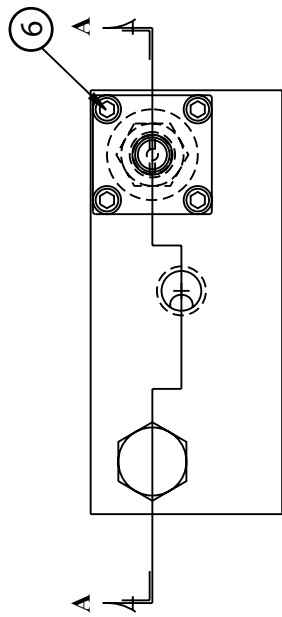
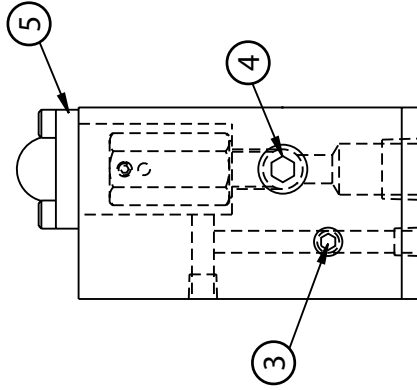
4 WAY INTENSIFIER  
17459

ITEM	PART NO.	QTY.	DESCRIPTION
1	44894	1	Cover
2	69479	4	Rubber Foot
3	43913	1	Mounting Plate
4	43912	1	Booster
5	44076	4	FHCS 1/4-20 x .50
6	93584	4	SHCS 1/4-20 x 1 1/4
7	43955	1	Straight Elbow
8	43956	1	Tube Assembly
9	43957	1	Male Elbow
10	68963	1	Adapter Assembly
11	44906	1	4 Way Manifold Assm.
12	56020112	1	O-Ring
13	5602014	2	O-Ring
14	Y0010260	4	Lock Washer
15	68181	3	Shear Seal
16	68028	3	Spring Washer
17	5602011	3	O-Ring
18	65882	3	Backup Washer
19	18906	1	G6 Gauge
20	44895	1	Hole Plug
21	43916	1	Gauge Cover
22	43362	4	SHCS 3/8-16 x 3.5SS
23	43365	10	BHCS 10-24 x .25
24	18101	2	F1 Hex
27	C515	1	Dust Cap FF Hose Half
28	C516	1	Dust Cap FF Ram Half
29	43959	1	LP Coupler Male 3/8
30	43960	1	LP Coupler Female 3/8
31	5602225	1	O-Ring
32	88530	1	Lock Pin
33	43935	1	Label
34	43936	1	Instructional Label
35	43937	1	Port Label
36	43938	1	Port Label PTO
37	43964	1	4 Way Valve Assembly
38	43965	1	Manifold Sub Assembly
39	43914	4	10-24 Lock Nut
40	44559	4	BHCS 10-24 x .50
41	40858	2	Female Coupler
42	CR215	2	Dust Cap
43	44735	1	Metal Tag
44	44908	2	Drive Screw 6 x 1/4

# 4 WAY MANIFOLD ASSEMBLY 44906



SECTION A-A



4 WAY MANIFOLD ASSEMBLY  
44906

ITEM	PART NO.	QTY.	DESCRIPTION
1	44905	1	4 Way Manifold
2	84084	1	Flush SOC 3/8-18 PTF
3	40049	6	1/16 Pipe Plug
4	93950	1	1/4 SOC Pipe Plug
5	44893	1	Hole Plug Cover
6	85009	4	SHCS 10-24 x .50 LG
7	44892	1	Int. Manifold Hole Plug
8	5602020	1	O-Ring
9	44642	1	Popper Relief Assembly
10	86269	1	Gasket
11	68004	1	Seat-External Relief
12	68003	1	Cone-External Relief
13	66085	1	Spring Relief Valve
14	69124	1	Washer 7/16 Nylon
15	69105	1	Acorn Nut 7/16-20
16	69104	1	Adjusting Screw



**SIMPLEX** products are warranted to be free of defects in materials and workmanship under normal use for as long as the original purchaser owns them, subject to the guidelines and limitations listed. This warranty does not cover: normal wear & tear, cosmetic items, abuse, overloading, alterations, improper fluid, or use in a manner for which they are not intended. If the customer believes a product is defective, the product must be delivered, or shipped freight prepaid, to the nearest SIMPLEX Authorized Service Center for evaluation and repair.

**2525 GARDNER ROAD \* BROADVIEW \* ILLINOIS \* 60155 \* PHONE (708) 865-1500 \* FAX (708) 865-0894**