

# HYDRAULIC PRESSES

10 - 15 Ton - H Frame Bench



IBP1010 Shown

Capacity .....▶ 10 - 15 tons  
 Stroke .....▶ 10 in.  
 Maximum Pressure .....▶ 10,000 psi

- ▶ 10 or 15 ton capacities.
- ▶ Adjustable bed with large daylight.
- ▶ Moveable work head.
- ▶ Wide variety of power sources.

## COUPLERS - pages 74 - 75

High flow quick disconnect couplers provide a quick change to a variety of pumps.



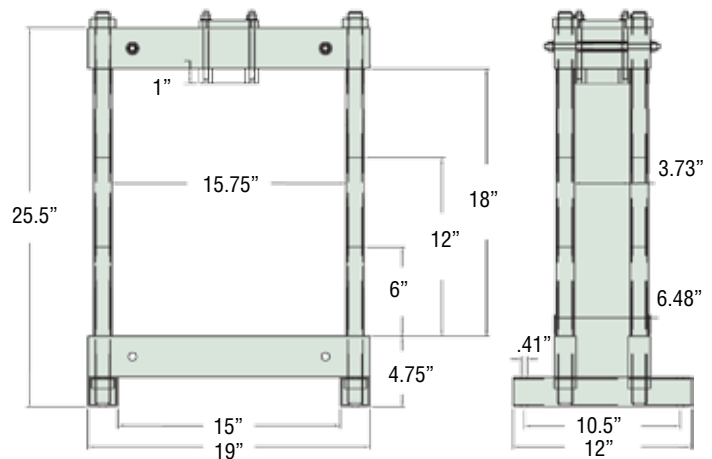
## SIMPLEX CYLINDERS - pages 7 - 29

Cylinder design specifications meet or exceed ANSI /ASME B30.1 Safety Standards.



Hydraulic Presses

Simplex bench mounted press frame simplified the work so it can be performed safely and more productively.▼



Contact Factory for additional dimensions.

Model Number with Cylinder	Capacity (tons)	Type	Ram	Stroke (in)	Model Number w/o Cylinder	Weight (lbs)
IBP1010	10	S/A	R1010	10	IBP10	142
IBP1510	15	S/A	R1510	10.38	IBP15	150

Products listed below are ordered separately.

Capacity (tons)	Suggested Hand Pump	Suggested Electric Pump	Suggested Hose	Suggested Gauge	Gauge Adapter	Weight (lbs)
10	P42	G1121	HCA6	G6	GA1	130
15	P42	G1121	HCA6	G6	GA1	130



IMS1010 Shown

Capacity ..... ► 10 tons  
 Stroke ..... ► 10 - 10.13 in.  
 Maximum Pressure ..... ► 10,000 psi

- Single or double acting models available.
- Large daylight with open sides for easy loading.
- Heavy duty welded construction.
- Moveable work head for maximum versatility.
- IES Series comes with motor pendant control.



**HAND PUMPS - pages 31 - 41**  
 Handpump design specifications meet or exceed ANSI /ASME B30.1 Safety Standards.

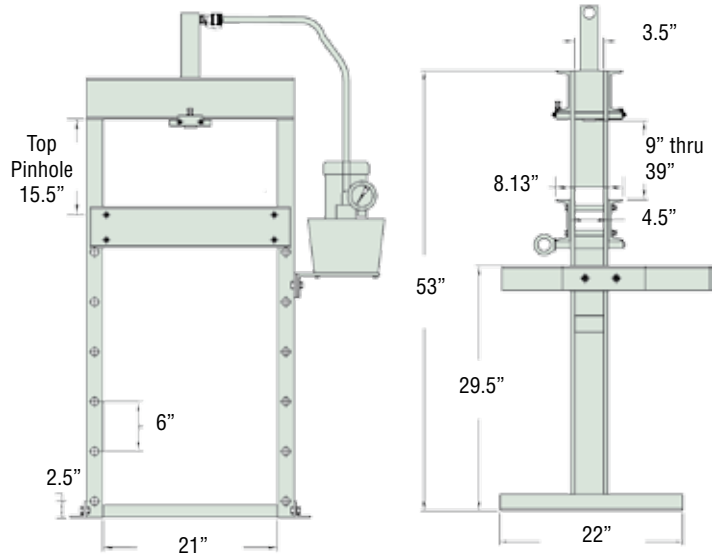


**POWER PUMPS - pages 43 - 65**  
 Simplex offers a wide variety of lightweight power pumps to fit any application.

**PUMP MOUNTING KIT**

For Hand Pumps ..... Model IM2  
 Order # ..... 40959

For Power Pumps ..... Model IM3  
 Order # ..... 40960



Hydraulic Presses

Model Number Without Pump	Model Number With Pump	Type of Cylinder	Cylinder Stroke (in)	Type of Pump	Pump Model	Operation	Speed (in/min) * Indicates Inches per Stroke		Weight With Pump (lbs)	Weight Without Pump (lbs)
							Advance	Pressing		
----	<b>IAS1010</b>	R1010 Single Acting 10 Ton Capacity	10	Air Powered	GA90	Advance Hold Retract	31	4.5	202	172
<b>IS1010</b>	<b>IES1010</b>		10	Electric Powered	G1121		104	9	204	172
----	<b>IMS1010</b>		10	Manual	P42		.38*	.06*	208	172
<b>IDD1010</b>	<b>IED1010</b>	RDA1010 D/A 10 Ton Capacity	10	Electric Powered	G1141		104	9	226	188
----	<b>IMD1010</b>		10	Manual	P140D		1.25*	.10*	236	188

# HYDRAULIC PRESSES

25 - 30 Ton - H Frame



IES256 Shown

Capacity Range .....▶ 25 - 30 tons  
 Stroke .....▶ 6.25 - 14.25 in.  
 Maximum Pressure .....▶ 10,000 psi

- ▶ Large daylight with open sides for easy loading.
- ▶ Wide choice of pumps & pressing cylinders.
- ▶ Includes tonnage gauge.
- ▶ IES & IED Series comes with pendant control.
- ▶ Moveable work head for maximum versatility.
- ▶ Adjustable work bed with friction brake winch.

## COUPLERS - pages 74 - 75



High flow quick disconnect couplers provide a quick change to a variety of pumps.

## HAND PUMPS - pages 31 - 41

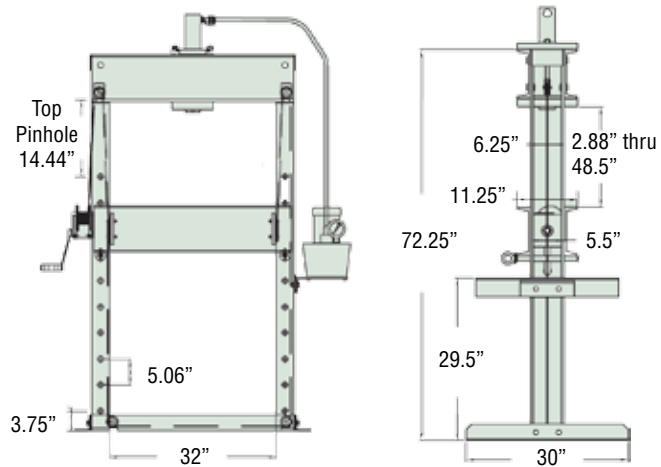


Handpump design specifications meet or exceed ANSI /ASME B30.1 Safety Standards.

## PUMP MOUNTING KIT

For Hand Pumps .....Model IM2  
 Order # ..... 40959

For Power Pumps .....Model IM3  
 Order # ..... 40960



Hydraulic Presses

\* For Presses with an electric 230V pump, add an "A" to the end of the model number.

Model Number Without Pump	* Model Number With Pump	Type of Cylinder	Cylinder Stroke (in)	Type of Pump	Pump Model	Operation	Speed (in/min) * Indicates Inches Per Stroke		Weight With Pump (lbs)	Weight Without Pump (lbs)
							Advance	Pressing		
----	<b>IAS256</b>	R256/ R2514 Single Acting 25 Ton Capacity	6.25	Air	GA90	Advance Hold Retract	14	2	417	----
----	<b>IAS2514</b>		14.25	Air	GA90		14	2	433	----
<b>IS256</b>	<b>IES256</b>		6.25	Electric 115V	G1121		50	4	419	387
<b>IS2514</b>	<b>IES2514</b>		14.25	Electric 115V	G1121		50	4	435	403
----	<b>IMS256</b>		6.25	Manual	P82A		.15*	.03*	423	----
----	<b>IMS2514</b>		14.25	Manual	P82A		.15*	.03*	439	----
<b>ID3014</b>	<b>IED3014</b>	RDA3014	14.25	Elec. 115V	G4172	40	3	462	428	
----	<b>IMD3014</b>	RDA3014	14.25	Manual	P140D	.43*	.04*	458	----	



IES556 Shown

- Capacity ..... ▶ 55 tons
- Stroke ..... ▶ 6.25 - 13.25 in.
- Maximum Pressure ..... ▶ 10,000 psi
- ▶ Large daylight with open sides for easy loading.
- ▶ Adjustable work bed with friction brake winch.
- ▶ Moveable work head for maximum versatility.
- ▶ Rigid frame under full load.
- ▶ IED & IES Series are equipped with a pendant control.



**THINK SAFETY**

Please refer to pages 4&5 for a complete list of safety tips and recommendations.



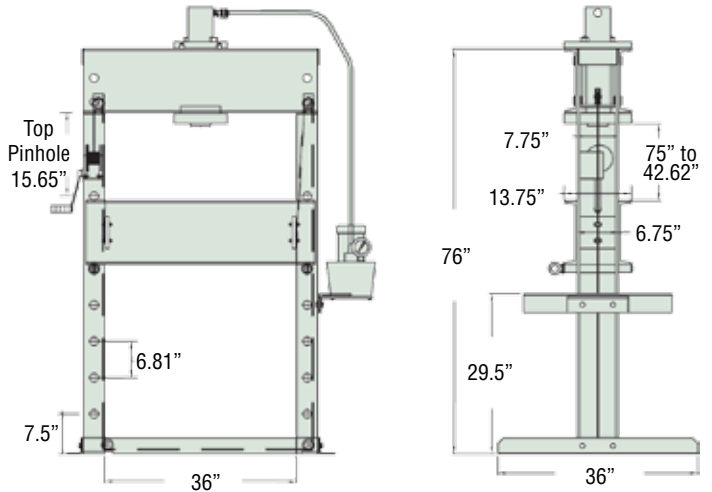
**POWER PUMPS - pages 43 - 65**

Simplex offers a wide variety of lightweight power pumps to fit any application.

**PUMP MOUNTING KIT**

For Hand Pumps .....Model IM2  
Order # ..... 40959

For Power Pumps .....Model IM3  
Order # ..... 40960



Hydraulic Presses

\* For Presses with an electric 230V pump, add an "A" to the end of the model number.

Model Number Without Pump	* Model Number With Pump	Type of Cylinder	Cylinder Stroke (in)	Type of Pump	Pump Model	Operation	Speed (in/min) * Indicates Inches per Stroke		Weight With Pump (lbs)	Weight Without Pump (lbs)
							Advance	Pressing		
IS556	IES556	R556 S/A	6.25	Electric 115V	G1121	Advance Hold Retract	23	2	707	675
IS5513	IES5513	R5513 S/A	13.25		G1121		23	2	735	703
ID556	IED556	RDA556 D/A	6.13		G4172		35	5	748	710
ID5512	IED5512	RDA5512 D/A	12		G4172		35	5	793	755
----	IMS556	R556 S/A	6.25	Manual	P82A		.07*	.02*	711	----



# HYDRAULIC PRESSES

100 Ton - H Frame



IES1006 Shown

Capacity Range .....► 100 tons  
 Stroke .....► 6.06 - 12 in.  
 Maximum Pressure .....► 10,000 psi

- Moveable work head for maximum versatility.
- Wide choice of pumps & pressing cylinders.
- Includes tonnage gauge.
- IED & IES Series comes with pendant control.
- Choose double-acting presses for fast retraction.
- Adjustable work bed with friction brake winch.

## SIMPLEX CYLINDERS - pages 7 - 29

Cylinder design specifications meet or exceed ANSI /ASME B30.1 Safety Standards.



## POWER PUMPS - pages 43 - 65

Simplex offers a wide variety of lightweight power pumps to fit any application.

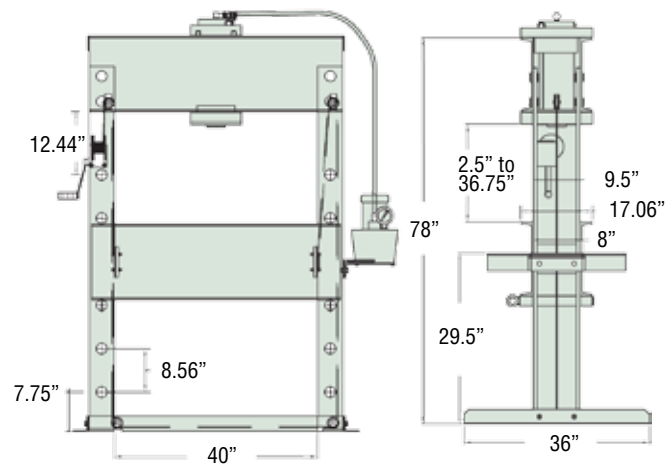


## PUMP MOUNTING KIT

For Hand Pumps .....Model IM2  
 Order # ..... 40959

For Power Pumps .....Model IM3  
 Order # ..... 40960

A machine shop needed to straighten forgings prior to machining and the Simplex 100 ton H Frame press was a perfect fit for the job. ▼



\* For Presses with an electric 230V pump, add an "A" to the end of the model number.

Model Number Without Pump	* Model Number With Pump	Type of Cylinder	Cylinder Stroke (in)	Type of Pump	Pump Model	Operation	Speed (in/min)		Weight With Pump (lbs)	Weight Without Pump (lbs)
							Advance	Pressing		
IS1006	IES1006	R1006 S/A	6.62	Electric 115V	G4163	Advance Hold Retract	19	2.75	1558	1470
IS10010	IES10010	R10010 S/A	10.25		G4163		19	2.75	1578	1490
ID1006	IED1006	RDA1006 D/A	6.06		G4173		19	2.75	1620	1532
ID10012	IED10012	RDA10012 D/A	12		G4173		19	2.75	1655	1567



ID15012 Shown

Capacity ..... ► 150 - 200 tons

Stroke ..... ► 12 - 13 in.

Maximum Pressure ..... ► 10,000 psi

- Large daylight with open sides for easy loading.
- Adjustable work bed with friction brake winch.
- Rigid frame under full load.
- IED Series comes with pendant control.
- Includes tonnage gauge.
- Presses ordered with pumps include remote pendant control and large 5 gallon reservoir.



**THINK SAFETY**

Please refer to pages 4&5 for a complete list of safety tips and recommendations.



**GAUGES - page 77**

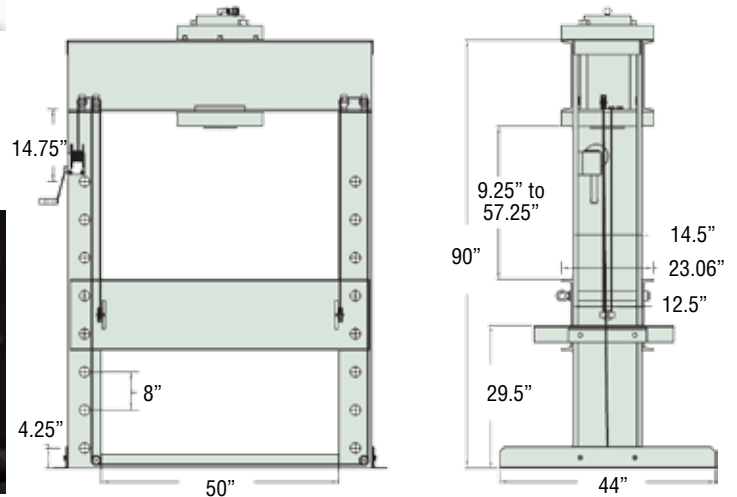
Improve your system visibility and safety by adding an inline hydraulic gauge to your circuit.

**PUMP MOUNTING KIT**

For Hand Pumps ..... Model IM2  
Order # ..... 40959

For Power Pumps ..... Model IM3  
Order # ..... 40960

Rail car repair shops are constantly faced with large jobs, these applications require a reliable and safe high tonnage press. ▼



\* For Presses with an electric 460V 3Ph pump, add an "A" to the end of the model number.

Model Number Without Pump	* Model Number With Pump	Type of Cylinder	Cylinder Stroke (in)	Type of Pump	Pump Model	Operation	Speed (in/min)		Weight With Pump (lbs)	Weight Without Pump (lbs)
							Advance	Pressing		
ID15012	IED15012	RDA15012 D/A	12	Electric 230V 3Ph	G6375	Advance Hold Retract	20	4.5	3035	2839
ID20013	IED20013	RDA20013 D/A	13				14	3.5	3180	2984